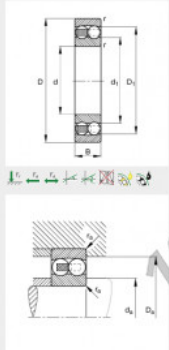


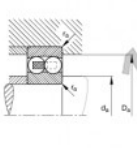
Self aligning ball bearing 2220-M-FAG - 2220-M-FAG

<https://www.123bearing.eu/bearing-housing/deep-groove-bearing/sefl-aligning/2220-m-fag>

Self-aligning ball bearings 2220-M
main dimensions to DIN 630



d	100 mm
D	180 mm
B	46 mm
D ₁	155.9 mm
D _{2max}	168 mm
d ₁	124.4 mm
d _{2min}	112 mm
r _{s,max}	2.1 mm
r _{min}	2.1 mm
m	5.25 kg Mass
C	85000 N Basic dynamic load rating, radial
e	0.27
Y ₀	2.33
Y ₁	3.61
C ₀	40000 N Basic static load rating, radial
Y ₂	2.44
n ₀	5600 1/min Limiting speed
n _B	5400 1/min Reference speed
C ₁₀	2120 N Fatigue limit load, radial



PRODUCT FEATURES

Brand	FAG
N° Ean13	3663952346892
Inside diameter	100 mm
Outside diameter	180 mm
Thickness	46 mm
Packaging	1

contact@123bearing.eu

+33 359 36 04 90

CRT4 de Lesquin 60 Rue Du Haut De Sainghin 59273 Fretin FRANCE