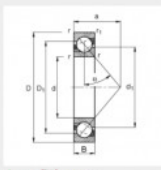


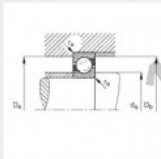
## Deep groove ball bearing single row 7322-B-JP-FAG - 7322-B-JP-FAG

<https://www.123bearing.eu/bearing-housing/deep-groove-bearing/single-row/7322-b-jp-fag>

**Angular contact ball bearings 7322-B-JP**  
main dimensions to DIN 628-1, contact angle  $\alpha = 40^\circ$



d	110 mm
D	240 mm
B	50 mm
a	98 mm
D <sub>1</sub>	190.9 mm
D <sub>a max</sub>	226 mm
D <sub>d max</sub>	233 mm
d <sub>1</sub>	162.3 mm
d <sub>a min</sub>	124 mm
f <sub>i min</sub>	1.1 mm
f <sub>a max</sub>	2.5 mm
f <sub>si max</sub>	3 mm
r <sub>ns</sub>	3 mm
$\alpha$	40 ° Contact angle
m	9.97 kg Mass
C	250000 N Basic dynamic load rating, radial
C <sub>0</sub>	245000 N Basic static load rating, radial
n <sub>0</sub>	3300 1/min Limiting speed
n <sub>0.1</sub>	3150 1/min Reference speed
C <sub>10</sub>	12500 N Fatigue limit load, radial



### PRODUCT FEATURES

Brand	FAG
N° Ean13	3663952348254
Inside diameter	110 mm
Outside diameter	240 mm
Thickness	50 mm
Packaging	1

[contact@123bearing.eu](mailto:contact@123bearing.eu)

+33 359 36 04 90

CRT4 de Lesquin 60 Rue Du Haut De Sainghin 59273 Fretin FRANCE