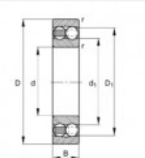


Self-aligning ball bearing 2313-TVH-C3-FAG - 2313-TVH-C3-FAG

<https://www.123bearing.eu/bearing-housing/deep-groove-bearing/sefl-aligning/2313-tvh-c3-fag>

Self-aligning ball bearings 2313-TVH
main dimensions to DIN 630



d	65 mm
D	140 mm
B	48 mm
D ₁	118,9 mm
D _{0,max}	128 mm
d ₁	85,6 mm
d _{0,min}	77 mm
f _{a,max}	2,1 mm
f _{int}	2,1 mm
m	3,23 kg Mass
C	90000 N Basic dynamic load rating, radial
e	0,39
Y ₁	1,62
Y ₂	2,51
C ₀	32000 N Basic static load rating, radial
Y ₀	1,7
n _{CP}	4800 1/min Limiting speed
n _R	7300 1/min Reference speed
C ₁₀	1980 N Fatigue limit load, radial

PRODUCT FEATURES

Brand	FAG
N° Ean13	3663952350424
Inside diameter	65 mm
Outside diameter	140 mm
Thickness	48 mm
Packaging	1

contact@123bearing.eu

+33 359 36 04 90

CRT4 de Lesquin 60 Rue Du Haut De Sainghin 59273 Fretin FRANCE