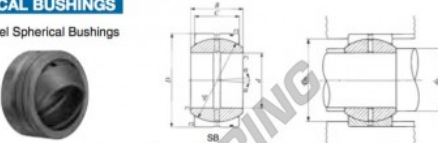


## GE Rod end SB7011058-IKO - SB7011058-IKO

<https://www.123bearing.eu/bearing-housing/rod-end/ge/sb7011058-iko>

**IKO**  
**SPHERICAL BUSHINGS**  
Steel-on-steel Spherical Bushings



Shaft dia. mm	Identification number		Mass (Ref.) kg	Boundary dimensions mm						Permissible tilting angle degree $\alpha$
	$d$	$D$		$B$	$C$	$d_k$	$r_1$	$r_2$		
70	<b>SB 7011058</b>		2.22	70	110	58	50	100	0.6	5
Mounting dimensions mm				Dynamic load capacity		Static load capacity				
$d_s$		$D_s$		$C_d$	$C_s$					
Min.	Max. <sup>(2)</sup>	Min.	Max.	N	N					
74.5	81.5	105.5	93	490 000	2 940 000					

Notes<sup>(1)</sup> Minimum allowable value of chamfer dimensions  $r_1$  and  $r_2$ .  
<sup>(2)</sup> When Spherical Bushings are used with full tilting angle, the shaft shoulder dimension must be less than the maximum value of  $d_s$ .  
Remark: The inner ring and the outer ring have an oil groove and two oil holes, respectively.  
2. Not provided with prepacked grease. Perform proper lubrication for use.

### PRODUCT FEATURES

Brand	IKO
N° Ean13	3663952391410
Inside diameter	70 mm
Outside diameter	110 mm
Thickness	58 mm
Type	GE
Lubrication	without
Packaging	1

[contact@123bearing.eu](mailto:contact@123bearing.eu)

+33 359 36 04 90

CRT4 de Lesquin 60 Rue Du Haut De Sainghin 59273 Fretin FRANCE