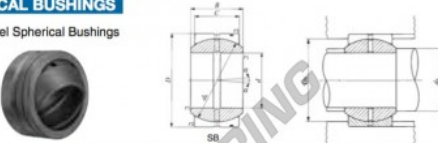


## GE Rod end SB9515082-IKO - SB9515082-IKO

<https://www.123bearing.eu/bearing-housing/rod-end/ge/sb9515082-iko>

**IKO**  
**SPHERICAL BUSHINGS**  
Steel-on-steel Spherical Bushings



Shaft dia. mm	Identification number		Mass (Ref.) kg	Boundary dimensions mm						Permissible tilting angle degree
	SB	9515082		d	D	B	C	d <sub>k</sub>	r <sub>s</sub> mm	
95	SB	9515082	6.05	95	150	82	70	140	0.6	5
Mounting dimensions mm		Dynamic load capacity C <sub>d</sub>		Static load capacity C <sub>s</sub>						
d <sub>s</sub>	D <sub>s</sub>	C <sub>d</sub>	C <sub>s</sub>							
Min. Max. <sup>(2)</sup>	Max. Min.	N	N							
99.5 113.5	145.5 130	961 000	5 770 000							

Notes<sup>(1)</sup> Minimum allowable value of chamfer dimensions r<sub>1</sub> and r<sub>2</sub>.  
<sup>(2)</sup> When Spherical Bushings are used with full tilting angle, the shaft shoulder dimension must be less than the maximum value of d<sub>s</sub>.  
Remark: 1. The inner ring and the outer ring have an oil groove and two oil holes, respectively.  
2. Not provided with prepacked grease. Perform proper lubrication for use.

### PRODUCT FEATURES

Brand	IKO
N° Ean13	3663952391519
Inside diameter	95 mm
Outside diameter	150 mm
Thickness	82 mm
Type	GE
Lubrication	without
Packaging	1

[contact@123bearing.eu](mailto:contact@123bearing.eu)

+33 359 36 04 90

CRT4 de Lesquin 60 Rue Du Haut De Sainghin 59273 Fretin FRANCE