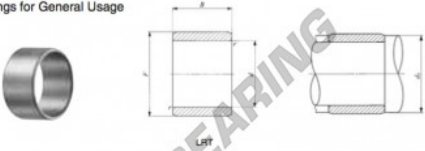


Inner ring LRT20022580-IKO - LRT20022580-IKO

<https://www.123bearing.eu/bearing-housing/needle-roller-bearing/inner-ring/lrt20022580-iko>

IKO
INNER RINGS
Inner Rings for General Usage



Shaft dia. mm	Identification number	Mass (kg)	Boundary dimensions mm				Standard mounting dimension mm		Assembled bearings
			d	F	B	r ^(*) % min	d ₂ Min.	d ₂ Max.	
200	LRT 20022580	5 000	200	225	80	2.1	211	223	RNA 4940

Note(*) Minimum allowable value of chamfer dimension r
Remark No oil hole is provided.

PRODUCT FEATURES

Brand	IKO
N° Ean13	3663952406367
Inside diameter	200 mm
Outside diameter	225 mm
Thickness	80 mm
Type	LRT
Packaging	1

contact@123bearing.eu

+33 359 36 04 90

CRT4 de Lesquin 60 Rue Du Haut De Sainghin 59273 Fretin FRANCE