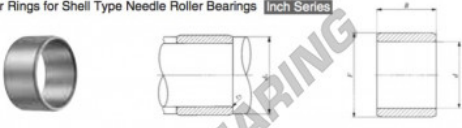


Inner ring IRB2412-IKO - IRB2412-IKO

<https://www.123bearing.eu/bearing-housing/needle-roller-bearing/inner-ring/irb2412-iko>

IKO
INNER RINGS
Inner Rings for Shell Type Needle Roller Bearings **Inch Series**



Shaft dia. mm (inch)	Identification number	Max (ref.) g	Boundary dimensions mm (inch)			Standard mounting dimensions mm (°)			Assembled bearings		
			<i>d</i>	<i>F</i>	<i>B</i>	<i>d</i> _s Min./Max.	<i>r</i> _{max} Max.	BA--Z (BAM)	BHA--Z (BHAM)	YS YBH	
38.100 (1 1/2)	IRB 2412	62	38.100 (1 1/2)	44.450 (1 3/4)	19.43	43.3	43.4	0.6	BA 2812Z	—	—

Note(°) Minimum allowable value of chamfer dimension *r*
Remark No oil hole is provided.

PRODUCT FEATURES

Brand	IKO
N° Ean13	3663952417042
Inside diameter	38.1 mm
Outside diameter	44.45 mm
Thickness	19.43 mm
Packaging	1

contact@123bearing.eu

+33 359 36 04 90

CRT4 de Lesquin 60 Rue Du Haut De Sainghin 59273 Fretin FRANCE