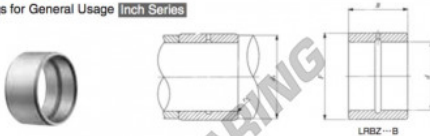


Inner ring LRBZ364428-B-IKO - LRBZ364428-B-IKO

<https://www.123bearing.eu/bearing-housing/needle-roller-bearing/inner-ring/lrbz364428-b-iko>

IKO
INNER RINGS
Inner Rings for General Usage Inch Series



| Shaft dia. mm (inch) | Identification number | | Mass (Ref.) g | Boundary dimensions mm(inch) | | | | Standard mounting dimensions mm ^(*) | | |
|----------------------------|-----------------------|---------------|---------------------|---------------------------------|----------------|----------|-------------------------------|---|--------------------------------|--|
| | | | | <i>d</i> | <i>F</i> | <i>B</i> | <i>d</i> ₄ Min. | <i>d</i> ₄ Max. | <i>r</i> _{as} Max. | |
| 57.150 (2 1/4) | — | LRBZ 364428 B | 440 | 57.150 ± 0.010 | 69.850 ± 0.010 | 44.700 | 65 | 67 | 1.5 | |
| Assembled bearings | | | | | | | | | | |
| BR 445628UU | | | | | | | | | | |

Note(*) Maximum allowable fillet corner radius of shaft.
Remark: LRBZ has no oil hole. LRB and LRBZ - B are provided with an oil groove and an oil hole.

PRODUCT FEATURES

| | |
|------------------|---------------|
| Brand | IKO |
| N° Ean13 | 3663952420936 |
| Inside diameter | 57.15 mm |
| Outside diameter | 69.85 mm |
| Thickness | 44.7 mm |
| Packaging | 1 |

contact@123bearing.eu

+33 359 36 04 90

CRT4 de Lesquin 60 Rue Du Haut De Sainghin 59273 Fretin FRANCE