


SA Rod end PM05-01-501-DURBAL - PM05-01-501-DURBAL

<https://www.123bearing.eu/bearing-housing/rod-end/sa/pm05-01-501-durbal>

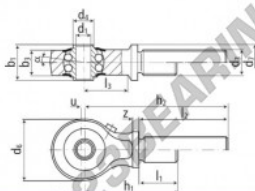
PM05-01-501



male thread:
long-term lubrication, low maintenance, shields



DURBAL® heavy-duty rod ends with integral self-aligning ball bearing



rod end housing:
forged steel, case-hardened bearing race, superfinished, rolled thread, surface galvanized, free of Cr-VI

inner ring:
ball bearing steel, hardened, superfinished

lubrication:
aluminium-complex-soap-grease, temperature range -45 °C to +120 °C, approval according to USDA H1

lubrication fitting:
DIN 3405 D1/A

bearing clearance:
10 - 30 µm radial

tolerances:
see page 10

order number		measurements [mm]			measurements [mm]			measurements [mm]			measurements [mm]			
type	type	d1	d2	d3	d4	d5	d7	b1	b2	b3	weight	calculation factors	rotational speed limit	basic load rating
PM 05 -01	-501	S	M	8 x 1	7,5	19	12	12	12	8				
type	l1	l2	l3	h1	h2	u	z	alpha [°]	weight [kg]	Y	gamma	nmax [min-1]	C [N]	stat. C0 [N]
PM 05	16	13	33,5	1,5	2,5	7,0	0,033	1,51	1,58	1350	1610	480		

PRODUCT FEATURES

Brand	DURBAL
N° Ean13	3663952507453
Inside diameter	5 mm
Outside diameter	19 mm
Thickness	12 mm
Type	SA
Weight	33 g
Thread	Right-hand thread
Lubrication	with
Packaging	1

contact@123bearing.eu

+33 359 36 04 90

CRT4 de Lesquin 60 Rue Du Haut De Sainghin 59273 Fretin FRANCE