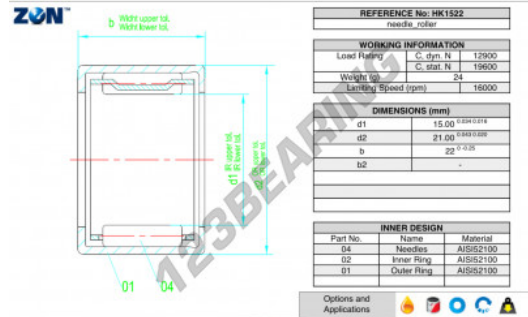


Drawn cup roller bearing HK1522-ZEN - HK1522-ZEN

<https://www.123bearing.eu/bearing-housing/needle-roller-bearing/drawn-cup/hk1522-zen>



PRODUCT FEATURES

Brand	ZEN
N° Ean13	3616060506429
Inside diameter	15 mm
Outside diameter	21 mm
Thickness	22 mm
Limiting speed	16000 rpm
Weight	18 g
Dynamic load	12.9 kN
Static load	19.6 kN
Packaging	1

contact@123bearing.eu

+33 359 36 04 90

CRT4 de Lesquin 60 Rue Du Haut De Sainghin 59273 Fretin FRANCE