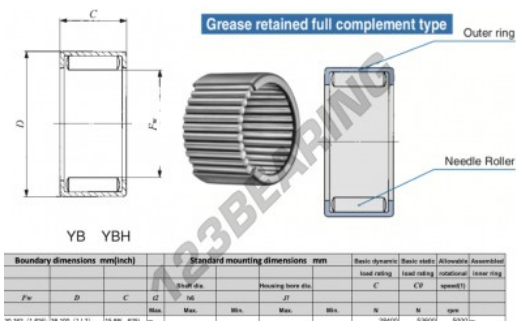


Drawn cup roller bearing YB1910-IKO - YB1910-IKO

<https://www.123bearing.eu/bearing-housing/needle-roller-bearing/drawn-cup/yb1910-iko>



PRODUCT FEATURES

Brand	IKO
N° Ean13	3616060600554
Inside diameter	30.162 mm
Inside diameter	1 3/16" inch
Outside diameter	38.1 mm
Outside diameter	1 1/2" inch
Thickness	15.88 mm
Thickness	5/8" inch
Limiting speed	5000 rpm
Dynamic load	28.4 kN
Static load	53.6 kN
Packaging	1

contact@123bearing.eu

+33 359 36 04 90

CRT4 de Lesquin 60 Rue Du Haut De Sainghin 59273 Fretin FRANCE