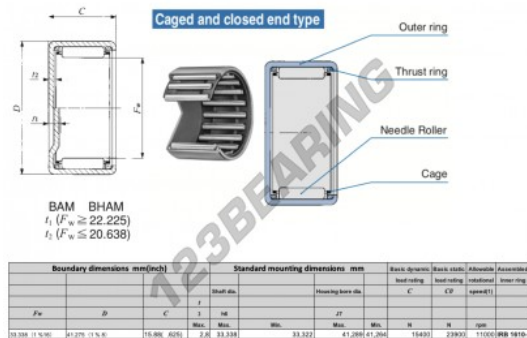


## Drawn cup roller bearing BAM2110-IKO - BAM2110-IKO

<https://www.123bearing.eu/bearing-housing/needle-roller-bearing/drawn-cup/bam2110-iko>



### PRODUCT FEATURES

Brand	IKO
N° Ean13	3616060600578
Inside diameter	33.338 mm
Inside diameter	1 5/16" inch
Outside diameter	41.275 mm
Outside diameter	1 5/8" inch
Thickness	15.88 mm
Thickness	5/8" inch
Limiting speed	11000 rpm
Dynamic load	15.4 kN
Static load	23.9 kN
Packaging	1

[contact@123bearing.eu](mailto:contact@123bearing.eu)

+33 359 36 04 90

CRT4 de Lesquin 60 Rue Du Haut De Sainghin 59273 Fretin FRANCE