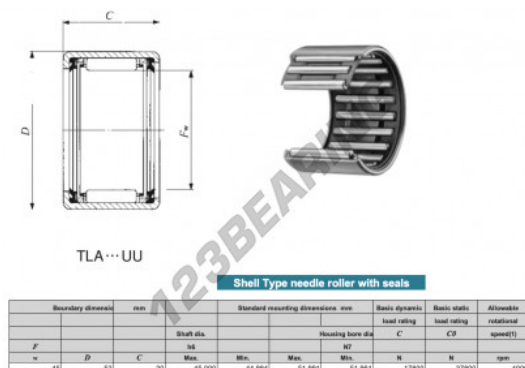


Drawn cup roller bearing TLA4520-UU-IKO - TLA4520-UU-IKO

<https://www.123bearing.eu/bearing-housing/needle-roller-bearing/drawn-cup/tla4520-uu-iko>



PRODUCT FEATURES

Brand	IKO
N° Ean13	3616060601100
Inside diameter	45 mm
Outside diameter	52 mm
Thickness	20 mm
Limiting speed	4000 rpm
Dynamic load	17.8 kN
Static load	37.8 kN
Packaging	1

contact@123bearing.eu

+33 359 36 04 90

CRT4 de Lesquin 60 Rue Du Haut De Sainghin 59273 Fretin FRANCE