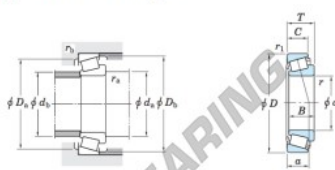


## Tapered roller bearing 52401-52618-JTEKT - 52401-52618-JTEKT

<https://www.123bearing.eu/bearing-housing/roller-bearing/tapered/52401-52618-jtekt>

Single-row tapered roller bearings  
inch series Koyo



Boundary dimensions (mm)							Basic load ratings (kN)		Limiting speeds (min <sup>-1</sup> )	
<i>d</i>	<i>D</i>	<i>T</i>	<i>B</i>	<i>C</i>	<i>r<sub>a</sub></i>	<i>r<sub>b</sub></i>	<i>C<sub>r</sub></i>	<i>C<sub>10</sub></i>	Grease lub.	Oil lub.
101.600	157.162	36.512	36.116	26.195	7.9	3.2	180	288	2 300	3 000

Bearing No.		Load center (mm)	Mounting dimensions (mm)						Constant	Axial load factors		(Refer.) Mass (kg)	
Inner ring	Outer ring	<i>a</i>	<i>d<sub>a</sub></i>	<i>d<sub>b</sub></i>	<i>D<sub>a</sub></i>	<i>D<sub>b</sub></i>	<i>r<sub>a</sub></i> max.	<i>r<sub>b</sub></i> max.	<i>e</i>	<i>Y<sub>1</sub></i>	<i>Y<sub>2</sub></i>	Inner ring	Outer ring
52401	52618	36.0	126.0	111.0	142.0	152.0	7.9	3.2	0.47	1.26	0.69	1.64	0.694

### PRODUCT FEATURES

Brand	JTEKT
N° Ean13	3663952429953
Inside diameter	101.6 mm
Outside diameter	157.162 mm
Thickness	36.512 mm
Weight	2330 g
Packaging	-

[contact@123bearing.eu](mailto:contact@123bearing.eu)

+33 359 36 04 90

CRT4 de Lesquin 60 Rue Du Haut De Sainghin 59273 Fretin FRANCE