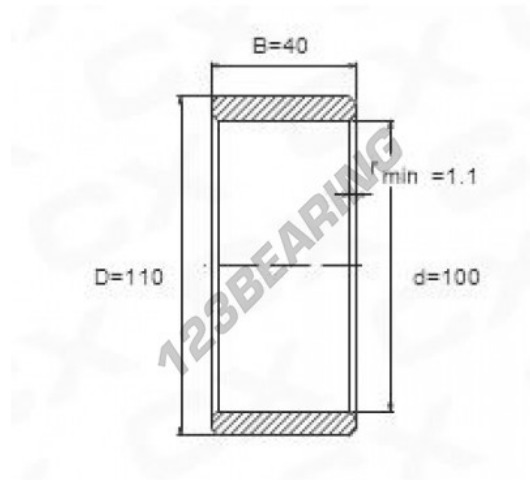


Inner ring IR100-110-40 - IR100-110-40

<https://www.123bearing.eu/bearing-housing/needle-roller-bearing/inner-ring/ir100-110-40>



PRODUCT FEATURES

Brand	GEN
Inside diameter	100 mm
Outside diameter	110 mm
Thickness	40 mm
Type	IR
Weight	517 g
Packaging	1

contact@123bearing.eu

+33 359 36 04 90

CRT4 de Lesquin 60 Rue Du Haut De Sainghin 59273 Fretin FRANCE